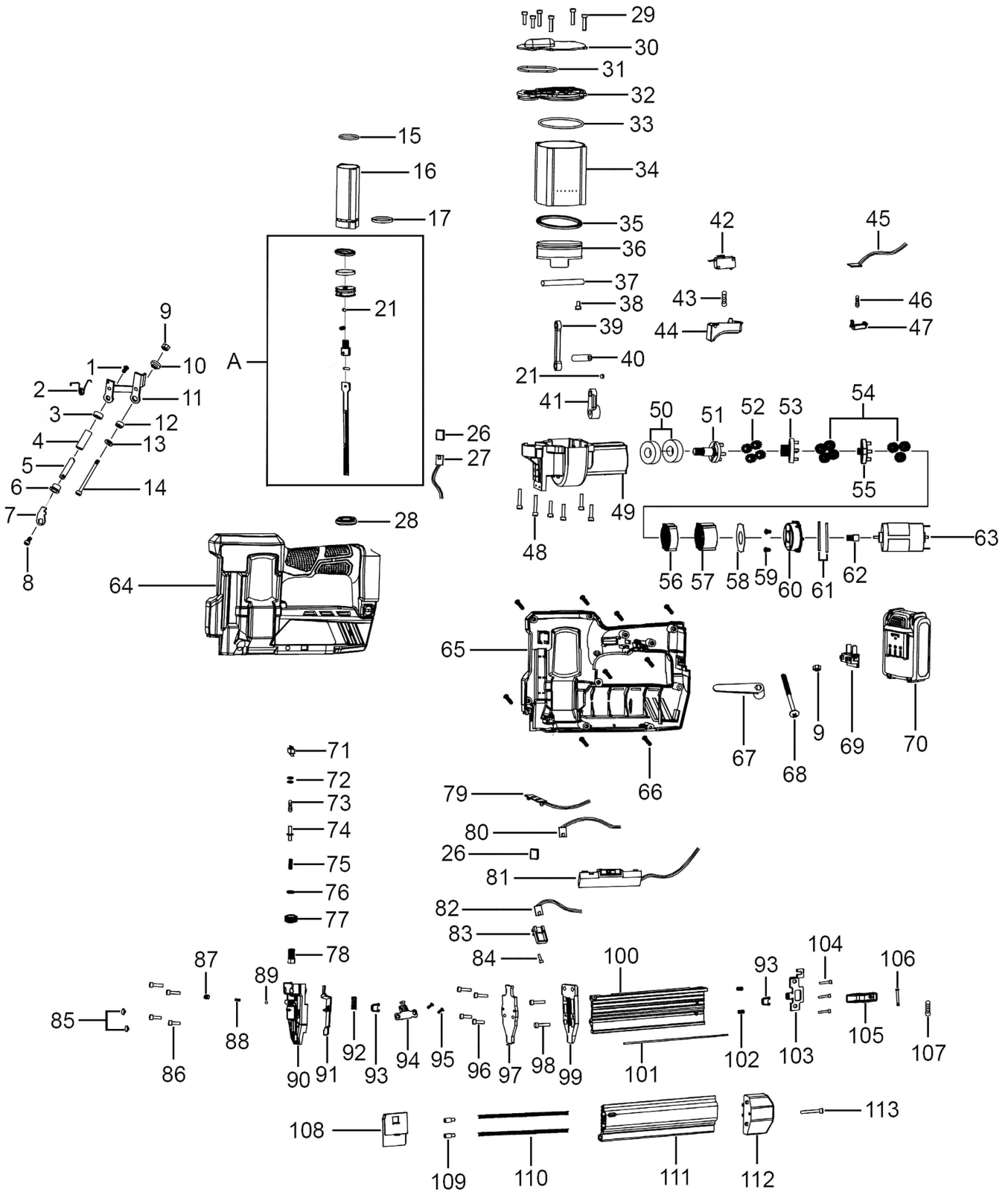




Parts Information:  
Cordless Nail/Staple Gun 18G 20V SV20  
Series - Body Only  
Model No: CP20VNG



**NOTE:** It is our policy to continually improve products and as such we reserve the right to alter data, specifications and component parts without prior notice. There may be alternative versions of this product, please contact us should you require this information.

**IMPORTANT:** No liability is accepted for incorrect use of product. Spare parts must be fitted by a competent person

**WARRANTY:** Guarantee is 12 months from purchase date, proof of which will be required for any claim.

Sealey Group, Kempson Way, Suffolk Business Park, Bury St Edmunds, Suffolk. IP32 7AR



01284 757500



sales@sealey.co.uk



www.sealey.co.uk



Parts Information:  
**Cordless Nail/Staple Gun 18G 20V SV20  
Series - Body Only  
Model No: CP20VNG**

Item	Part No.	Description
A	CPNG18.V2-A	Driver Unit (Includes Parts 18-25)
1	CP20VNG.01	Bolt
2	CP20VNG.02	Tosion Spring
3	CP20VNG.03	Copper Spacer (A)
4	CP20VNG.04	Copper Pipe
5	CP20VNG.05	Revolving Shaft
6	CP20VNG.06	Copper Spacer (B)
7	CP20VNG.07	Link Stopper
8	CP20VNG.08	Bolt
9	CP20VNG.09	Self-Lock Nut
10	CP20VNG.10	Copper Spacer (C)
11	CP20VNG.11	Pendulum Bar
12	CP20VNG.12	Spacer (A)
13	CP20VNG.13	Spacer (B)
14	CP20VNG.14	Bolt
15	CP20VNG.15	Seal
16	CP20VNG.16	Cylinder (small)
17	CP20VNG.17	Seal
21	CPNG18.V2-21	Magnet
26	CP20VNG.26	Connector Wire Cover
27	CP20VNG.27	Connector Wire (A)
28	CP20VNG.28	Bumper
29	CP20VNG.29	Cylinder Cover Bolt
30	CP20VNG.30	Cylinder Upper Cover
31	CP20VNG.31	Cylinder Seal (Upper)
32	CP20VNG.32	Cylinder Cover
33	CP20VNG.33	Cylinder Seal (Lower)
34	CP20VNG.34	Cylinder (Large)
35	CP20VNG.35	Cylinder Seal
36	CP20VNG.36	Piston
37	CP20VNG.37	Piston Shaft
38	CP20VNG.38	Bolt
39	CP20VNG.39	Connecting Rod
40	CP20VNG.40	Connecting Rod Pin
41	CP20VNG.41	Pivoted Axle
42	CP20VNG.42	Main Switch
43	CP20VNG.43	Switch Spring
44	CP20VNG.44	Switch Trigger
45	CP20VNG.45	Connecting Wire (B)
46	CP20VNG.46	Spring (for LED Light Switch)
47	CP20VNG.47	LED Light Switch
48	CP20VNG.48	Bolt

Item	Part No.	Description
49	CP20VNG.49	Bracket Support
50	CP20VNG.50	Bracket Support Bearing
51	CP20VNG.51	Connecting Rod
52	CP20VNG.52	Gear 'A'
53	CP20VNG.53	Gear Support 'A'
54	CP20VNG.54	Gear 'B'
55	CP20VNG.55	Gear Support 'B'
56	CP20VNG.56	Inner Gear 'A'
57	CP20VNG.57	Inner Gear 'B'
58	CP20VNG.58	Spacer
59	CP20VNG.59	Bolt
60	CP20VNG.60	Motor Cover
61	CP20VNG.61	Pin
62	CP20VNG.62	Motor Pinion
63	CP20VNG.63	Motor
64	CP20VNG.64	Casing, Right Side
65	CP20VNG.65	Casing, Left Side
66	CP20VNG.66	Bolt
67	CP20VNG.67	Belt Hook
68	CP20VNG.68	Bolt
69	CP20VNG.69	Power Connector
70	SEE CATALOGUE	Battery 20V 2Ah - 4Ah Li-ion (not included)
71	CP20VNG.71	Safety Switch
72	CP20VNG.72	Spacer (for Safety Switch)
73	CP20VNG.73	Spring (for Safety Switch)
74	CP20VNG.74	Safety Pin
75	CP20VNG.75	Spring
76	CP20VNG.76	Spacer
77	CP20VNG.77	Depth Adjustment Wheel
78	CP20VNG.78	Screw
79	CP20VNG.79	LED Light
80	CP20VNG.80	Connector Wire (C)
81	CP20VNG.81	Control PCB
82	CP20VNG.82	Connector Wire (D)
83	CP20VNG.83	Connector Wire Cover
84	CP20VNG.84	Bolt
85	CP20VNG.85	Cap
86	CP20VNG.86	Bolt
87	CP20VNG.87	Bolt
88	CP20VNG.88	Spring
89	CP20VNG.89	Steel Ball
90	CP20VNG.90	Driver Guide Cover

**NOTE:** It is our policy to continually improve products and as such we reserve the right to alter data, specifications and component parts without prior notice. There may be alternative versions of this product, please contact us should you require this information.

**IMPORTANT:** No liability is accepted for incorrect use of product. Spare parts must be fitted by a competent person

**WARRANTY:** Guarantee is 12 months from purchase date, proof of which will be required for any claim.

Sealey Group, Kempson Way, Suffolk Business Park, Bury St Edmunds, Suffolk. IP32 7AR



01284 757500



sales@sealey.co.uk



www.sealey.co.uk



Parts Information:  
**Cordless Nail/Staple Gun 18G 20V SV20  
Series - Body Only  
Model No: CP20VNG**

Item	Part No.	Description
91	CP20VNG.91	Safety Latch
92	CP20VNG.92	Spring
93	CP20VNG.93	Protective Pad
94	CP20VNG.94	Pressure Adjustment Plate
95	CP20VNG.95	Bolt
96	CP20VNG.96	Bolt
97	CP20VNG.97	Driver Cover Plate
98	CP20VNG.98	Bolt
99	CP20VNG.99	Driver Guide
100	CP20VNG.100	Fized Magazine
101	CP20VNG.101	Nail/Staple Guide Wire
102	CP20VNG.102	Bolt

Item	Part No.	Description
103	CP20VNG.103	End Support
104	CP20VNG.104	Bolt
105	CP20VNG.105	Magazine Latch
106	CP20VNG.106	Pin
107	CP20VNG.107	Latch Spring
108	CP20VNG.108	Nail Guide
109	CP20VNG.109	Plastic Piece
110	CP20VNG.110	Spring
111	CP20VNG.111	Moveable Magazine
112	CP20VNG.112	End Cover
113	CP20VNG.113	Bolt

**NOTE:** It is our policy to continually improve products and as such we reserve the right to alter data, specifications and component parts without prior notice. There may be alternative versions of this product, please contact us should you require this information.

**IMPORTANT:** No liability is accepted for incorrect use of product. Spare parts must be fitted by a competent person

**WARRANTY:** Guarantee is 12 months from purchase date, proof of which will be required for any claim.

**Sealey Group**, Kempson Way, Suffolk Business Park, Bury St Edmunds, Suffolk. IP32 7AR



01284 757500



sales@sealey.co.uk



www.sealey.co.uk